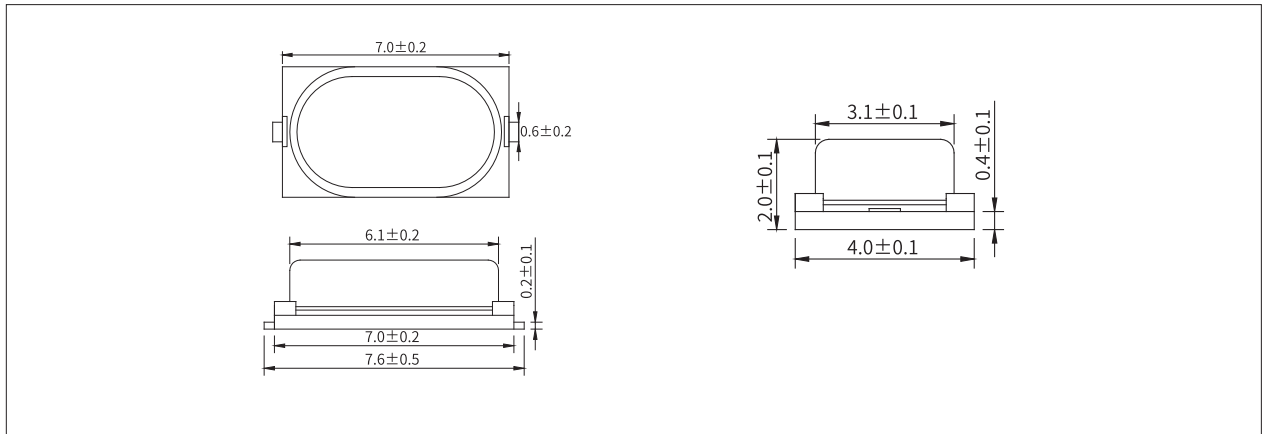


49SS-7/SMD系列

49SS-7SMD



◎ 产品尺寸图 /Product dimension drawing <unit:mm>



◎ 产品参数 /Product parameter

项目 Item \ 类型 Type	49SS-7SMD
频率范围Frequency Range	8~50M
调整频差Frequency Tolerance(at 25°C)	±10ppm,or specify
温度频差 Frequency Stability Over Operating Temperature Range	±15ppm,or specify
工作温度Operating Temperature Range	-20~+70°C,or specify
静态电容Shunt Capacitance(C0)	3.0pF Max
绝缘电阻Insulation Resistance(IR)	500MΩ Min 100VDC/+15VDC
激励功率Drive Level	0.01~1000μW(10μW typical)
负载电容Load Capacitance	9pF,12pF,20pF or specify
老化率Aging(at 25°C)	±3ppm/year Max
储存温度Storage Temperature Range	-55~+125°C
等效串联电阻 Equivalent Series Resistance(ESR)	100Ω Max / see spec

◎ 应用范围 /applied range

